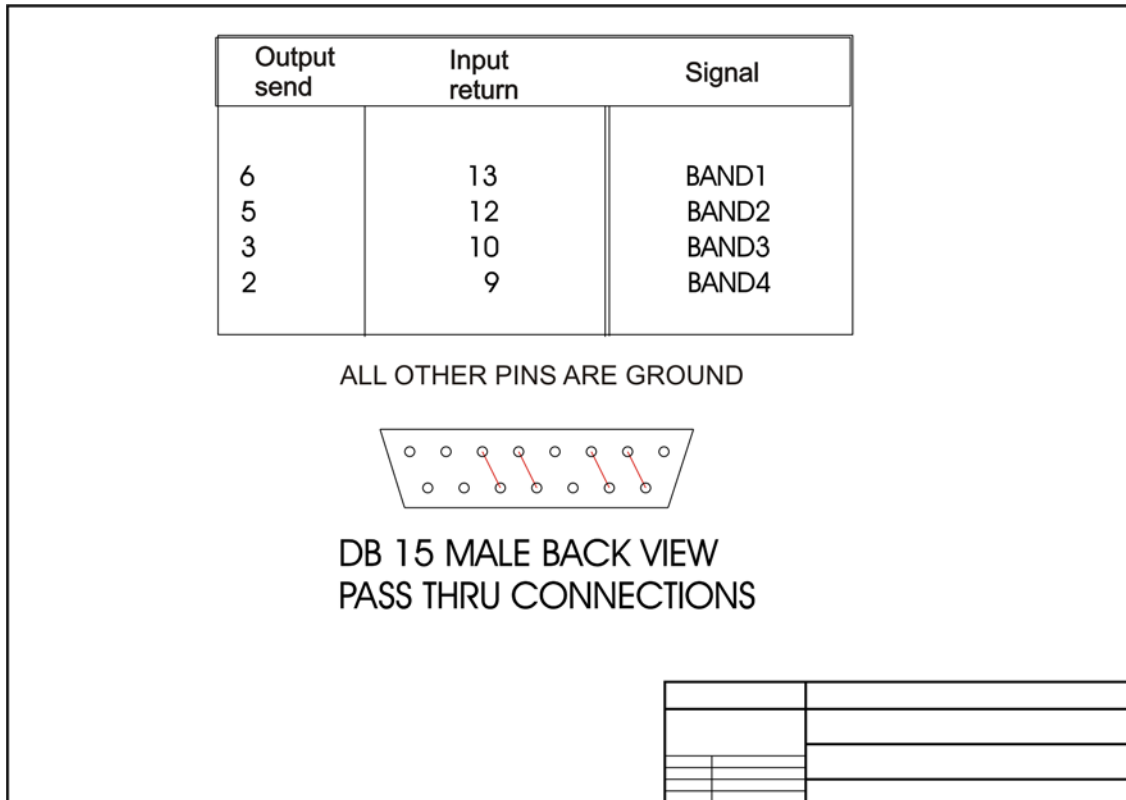
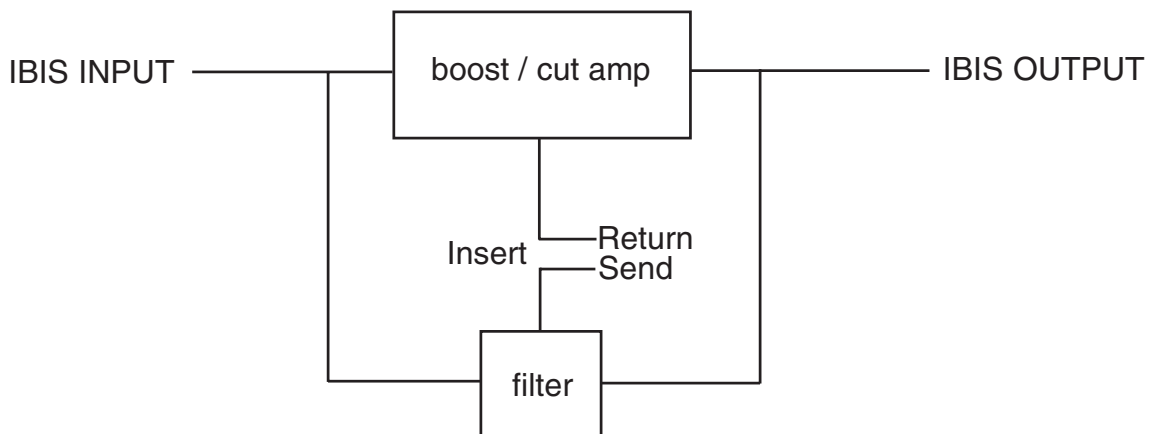


IBIS INSERT CONNECTOR



If you are going to mess with this use caution. The inserts are a loop and must be normalized for the band to work correctly. If there is a phase inversion in the inserted device it is possible that the system will be an oscillator. This will not hurt Ibis, but your Speakers.



There are 4 filter circuits in parallel in Ibis. When using the insert with a compressor you are modifying the filter output before it sums back into the audio path.